

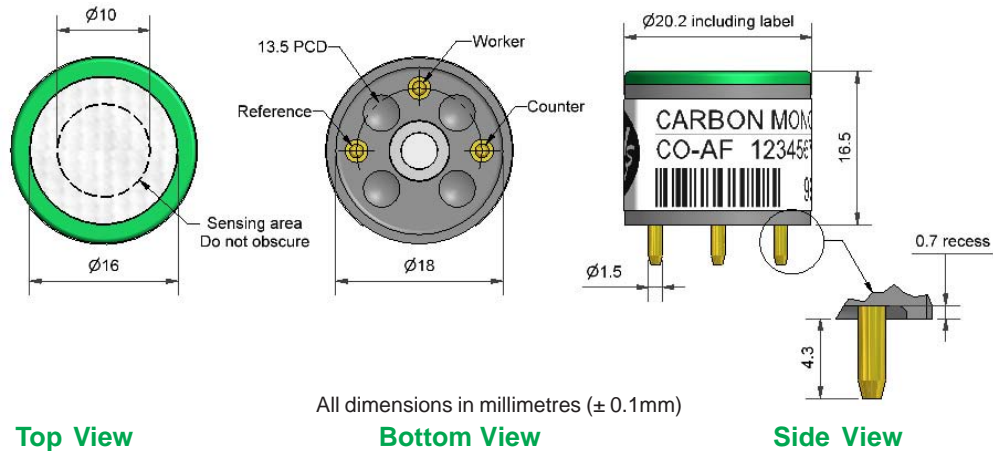


CO-AF Carbon Monoxide Sensor



PATENTED

Figure 1 CO-AF Schematic Diagram



Technical Specification

PERFORMANCE	Sensitivity	nA/ppm in 400ppm CO	55 to 85
	Response time	t_{90} (s) from zero to 400ppm CO	< 25
	Zero current	ppm equivalent in zero air	< ± 2
	Resolution	RMS noise (ppm equivalent)	< 0.5
	Range	ppm CO limit of performance warranty	1,000
	Linearity	ppm error at full scale, linear at zero, 400ppm CO	+15 to +25
	Overgas range	maximum ppm for stable response to gas pulse	10,000
LIFETIME	Zero drift	ppm equivalent change/year in lab air	< 0.2
	Sensitivity drift	% change/year in lab air, twice monthly test	< 3
	Operating life	months until 80% original signal (24 month warranted)	> 24
ENVIRONMENTAL 400ppm CO70 to 90	Sensitivity @ -20°C	% (output @ -20°C/output @ 20°C) @	
	Sensitivity @ 50°C	% (output @ 50°C/output @ 20°C) @ 400ppm CO	104 to 112
	Zero @ -20°C	ppm equivalent change from 20°C	< ± 3
	Zero @ 50°C	ppm equivalent change from 20°C	< ± 2
CROSS SENSITIVITY	Filter capacity	ppm-hours	H ₂ S 250,000
	Filter capacity	ppm-hours	NO ₂ 600,000
	Filter capacity	ppm-hours	NO 200,000
	Filter capacity	ppm-hours	SO ₂ 300,000
	SO ₂ sensitivity	% measured gas @ 20ppm	SO ₂ < 0.1
	NO sensitivity	% measured gas @ 50ppm	NO < 5
	NO ₂ sensitivity	% measured gas @ 10ppm	NO ₂ < 0.1
	Cl ₂ sensitivity	% measured gas @ 10ppm	Cl ₂ < 0.1
	H ₂ sensitivity	% measured gas @ 400ppm	H ₂ at 20°C < 60
	C ₂ H ₄ sensitivity	% measured gas @ 400ppm	C ₂ H ₄ < 25
H ₂ S sensitivity	% measured gas @ 20ppm	H ₂ S < 0.1	
NH ₃ sensitivity	% measured gas @ 20ppm	NH ₃ < 0.1	
KEY SPECIFICATIONS	Temperature range	°C	-30 to 50
	Pressure range	kPa	80 to 120
	Humidity range	% rh continuous	15 to 90
	Storage period	months @ 3 to 20°C (stored in sealed pot)	6
	Load resistor	\bar{w} (recommended)	10 to 100
	Weight	g	< 6

NOTE: all sensors are tested at ambient environmental conditions, with 10 ohm load resistor, unless otherwise stated. As applications of use are outside our control, the information provided is given without legal responsibility. Customers should test under their own conditions, to ensure that the sensors are suitable for their own requirements.



CO-AF Performance Data

Technical Specification

Figure 2 Sensitivity Temperature Dependence

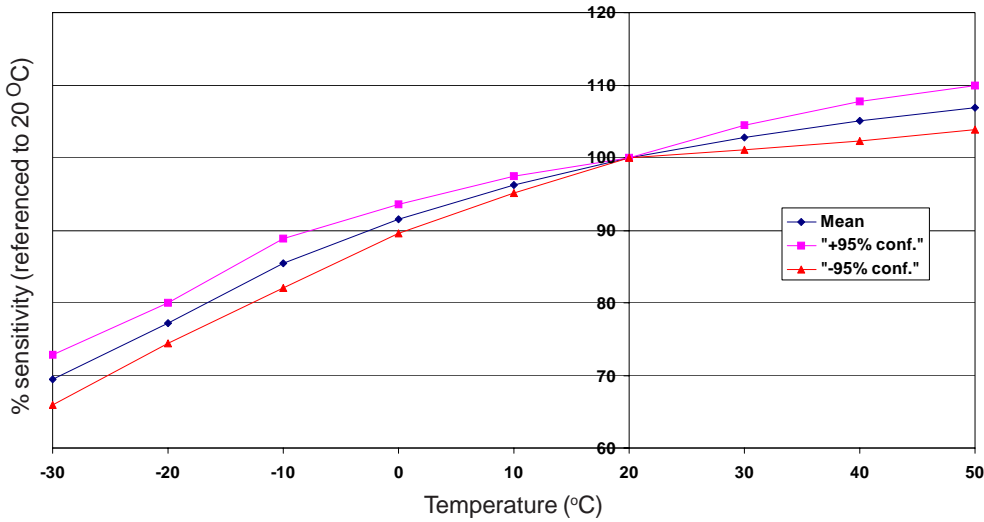


Figure 2 shows the variation in sensitivity caused by changes in temperature.

This data is taken from a typical batch of sensors. The mean and \pm 95% confidence intervals are shown.

Figure 3 Zero Temperature Dependence

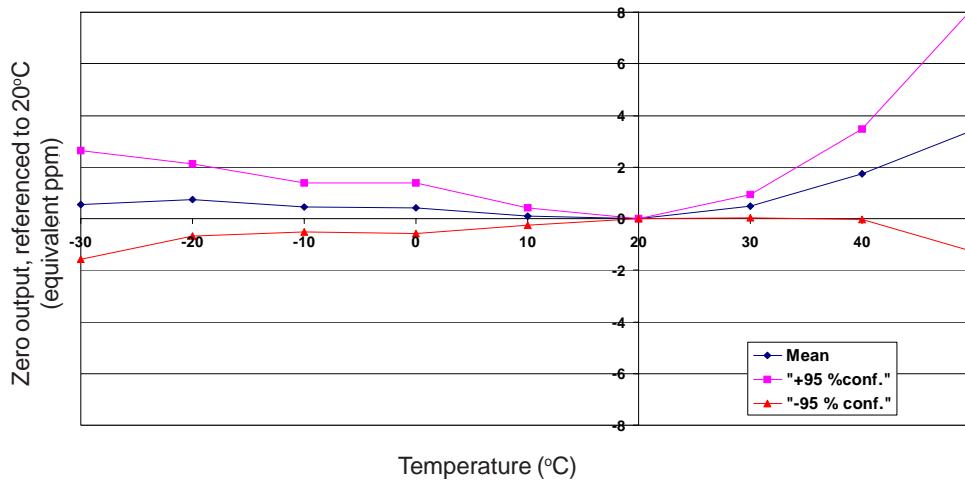


Figure 3 shows the variation in the zero by changes in temperature.

This data is taken from a typical batch of sensors. The mean and \pm 95% confidence intervals are shown.

Figure 4 Response to Exposure to 2% CO

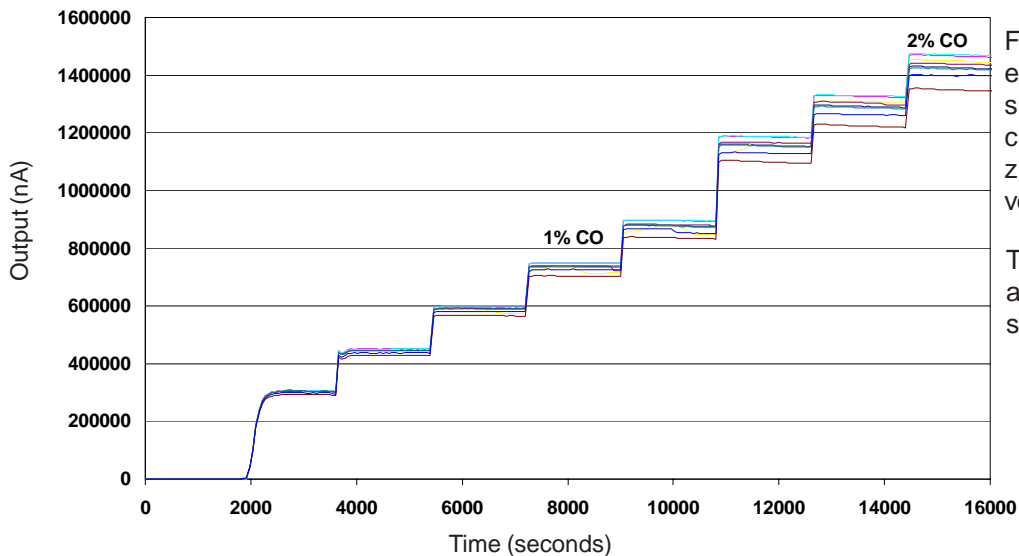


Figure 4 shows the excellent response to step changes in CO concentrations from zero to 2% CO by volume.

This data is taken from a typical batch of sensors.

For further information on the performance of this sensor, on other sensors in the range or any other subject, please contact Alphasense Ltd. For Application Notes visit "www.alphasense.com"

In the interest of continued product improvement, we reserve the right to change design features and specifications without prior notification. The data contained in this document is for guidance only. Alphasense Ltd accepts no liability for any consequential losses, injury or damage resulting from the use of this document or the information contained within it (©ALPHASENSE LTD) Doc. Ref. TDS/COAF/ Issue 12